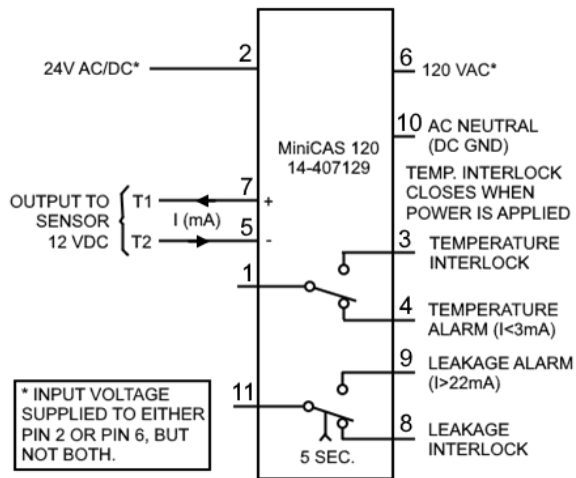
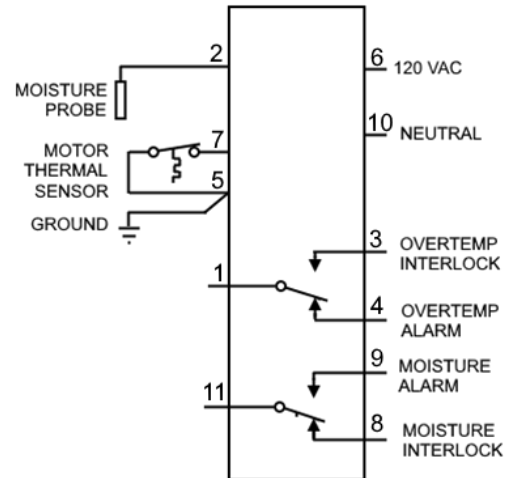


The HOMA PMR5 directly replaces a Flygt MiniCas relay and installs in the existing relay base. However, some small modifications must be done to ensure correct operation.

**Xylem / Flygt MiniCas
Connection Diagram**



**HOMA PMR5
Connection Diagram**



- Begin by determining if the current MiniCAS relay is powered by 120VAC or 24V AC/DC.
 - Looking at the connection diagram above, you can see that if pin 6 is used, it is powered by 120VAC. This means the lead can be reused when connecting the PMR5
 - If pin 2 is used, then it is powered by 24V AC/DC. This means that you will need to provide a 120V lead and neutral lead from the control transformer. Remove the lead from pin 2 and connect the new 120V lead to pin 6, and the neutral lead to pin 10
- Connect the two Motor Thermal leads from the pump control cable to pins 5 and 7 on the relay. The orientation does not matter.
- Connect the Leakage Probe lead S1 from the pump control cable to pin 2 on the relay. If leakage probe leads S3 and/or S5 are provided, attach them to pin 2 as well.
- If Leakage probe leads S2 and/or S4 are provided, attach them to pin 5. If a control terminal strip is used, this may require wiring to an unused point on the strip.
- Add a ground wire to pin 5.
- Install the PMR5 module into the base.