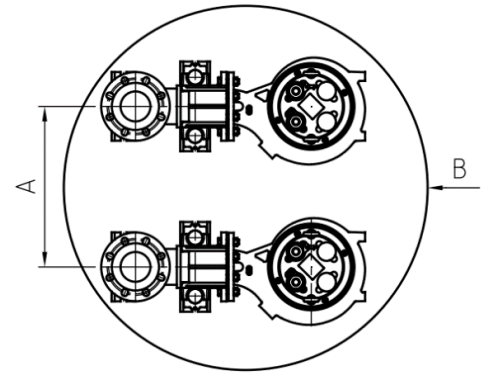
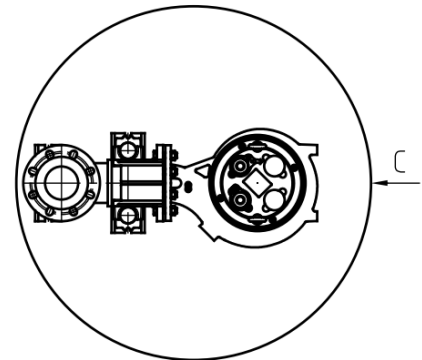


Duplex Arrangement



Simplex Arrangement



Model	Dimensional Minimums (Inches)		
	Centerline Separation (A)	Duplex Basin Diameter (B)	Simplex Basin Diameter (C)
AV432 165-195	16 3/4	42	36
AV432 200-230	21 1/2	48	42
AV434/6 200-230	18 1/2	48	42
AVX434/6 225-230	18 1/2	48	42
AVX444 180-198	17 1/4	48	42
AVX446 180-205	17 1/4	48	42
AVX444/6 200-230	19 3/4	48	42
AVX444/6 258-288	24 1/4	72	60
AK434 260-290	27	60	48
AKX434 300-360	30 1/2	72	60