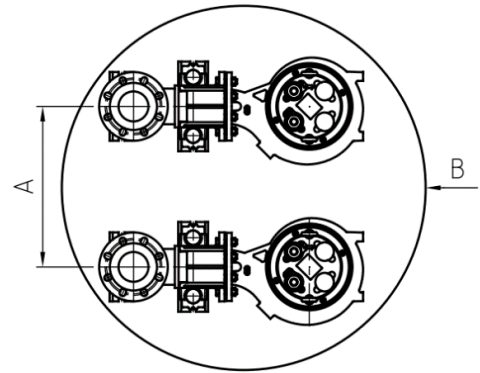
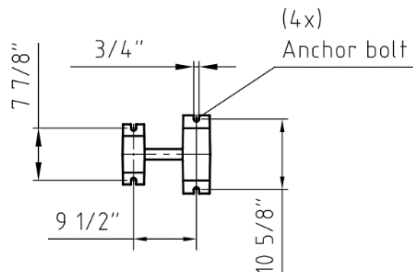
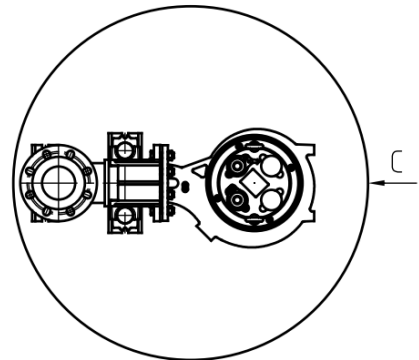


Duplex Arrangement



Simplex Arrangement



Model	Dimensional Minimums (Inches)				
	Centerline Separation (A)	Duplex Basin Diameter (B)	Simplex Basin Diameter (C)	UGRB to Volute Length (D)	Volute Diameter
AMS434/6 140-190	26	48	36	21 7/8	12
AMS434/6 200-230	26	60	42	25 7/8	14 1/8
AMS434/6 248-260	26	60	42	26 7/8	15
AMS444/6 180-190	26	60	42	24 3/8	13
AMS444/6 210-230	26	60	42	25 7/8	13 1/2
AMS444/6 250-300	26	60	48	30 3/4	18
OC4X2/4 150-200	26	60	42	23 3/8	12 5/8