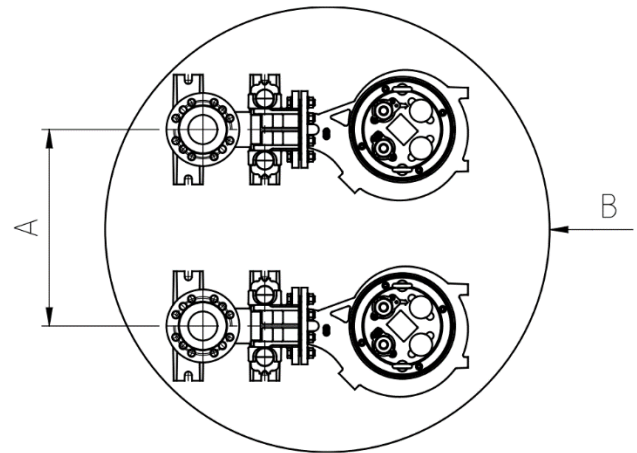
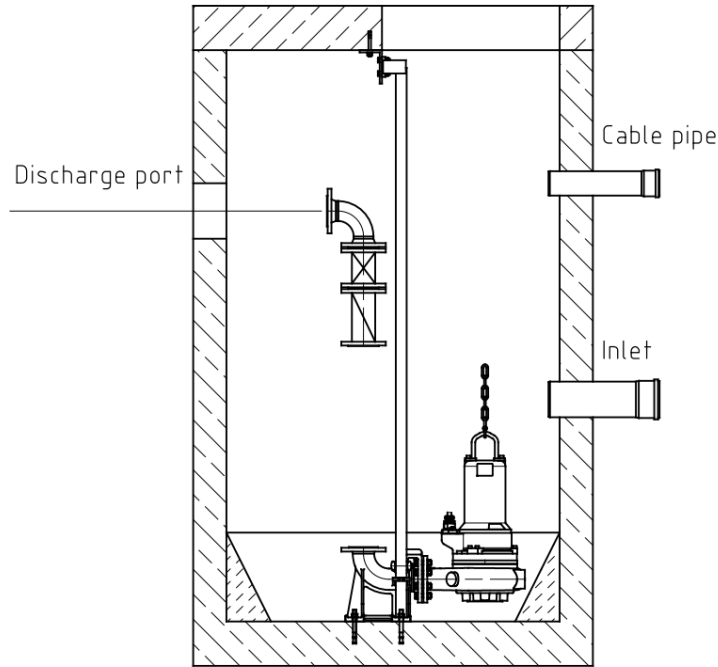
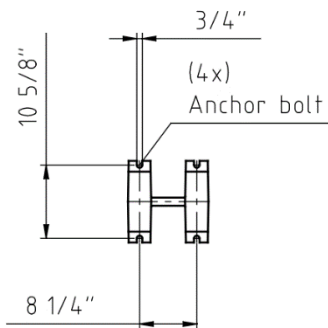
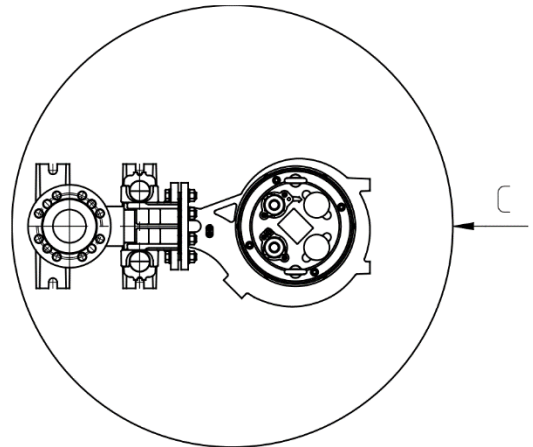


Technical Pages

Duplex Arrangement



Simplex Arrangement



Model	Dimensional Minimums (Inches)		
	Centerline Separation (A)	Duplex Basin Diameter (B)	Simplex Basin Diameter (C)
AMS334/6 140-180	18	42	36
AMS334/6 200-230	21	48	42
AMX334/6 142-206	18	42	36
AMX334/6 218-230	21 1/4	48	42
AV(X)332/4/6 130-195	16 3/4	42	36
AV(X)332/4/6 200-230	18 1/2	48	36