

# »» THE HIGH-PRESSURE CLEANER FOR YOUR SUMP.

The next generation of automated flush valves: FV 25 / FV 50



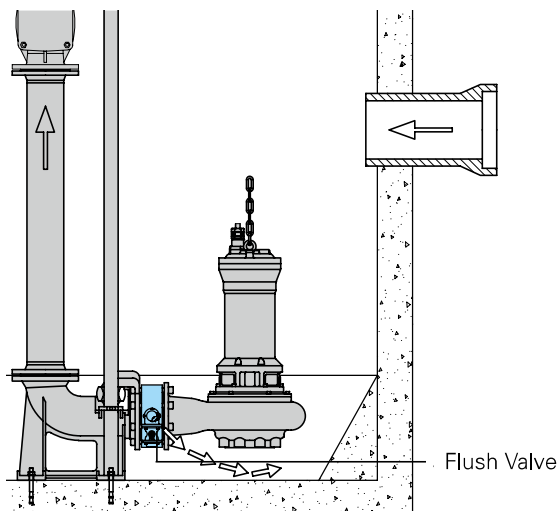
**HOMA**  
PUMP TECHNOLOGY



## » A CLEAN SOLUTION

Pump stations must be cleaned regularly due to sedimentation or the formation of a scum layer. Possible causes of these problems are: insufficient influx, an oversized pump station or a high amount of grease and solids in the wastewater. The results are unpleasant odors, clogged level controllers and a reduction in operating performance, as well as high costs due to downtimes and necessary cleaning or maintenance work.

HOMA provides the solution for these problems: **The new automated flush valves FV 25 and FV 50.**



## » COMPELLING PERFORMANCE

### Application

The new HOMA flushing valves FV 25 and FV 50 reliably prevent the accumulation of solids and grease in pits. When the pumping process starts, a portion of the pumped liquid is routed back into the pit through the opened valve. This creates a current that disperses any solids in the medium and allows them to be pumped out without difficulty.

The valve nozzle can be directed either at the bottom of the pit to prevent sedimentation or upwards to prevent the formation of a scum layer, especially on liquids with high grease content.

At the end of the preset flushing time,

the valve closes automatically to complete the flushing process.

The dispersed pollutants are pumped out with the medium. After the pumping process, the flushing valve opens again automatically for the next flushing process.

The flushing valve works on the basis of the Venturi effect and pressure differences. Therefore, it does not require any external control or power units.

### Installation

The flushing valve is installed between the pump discharge flange and either the guide claw (if a coupling system is used) or the discharge pipe (if the pump is set up on the ground). Adapter kits (2" to 6") are available for different discharge diameters.

On larger pumps, the flushing valve can also be mounted directly on the cleanout.

### COMPELLING FEATURES

- » Compact and robust design
- » No external control or power units required
- » Easy replacement of wearing parts like nozzle or ball seat
- » Adjustable flushing time

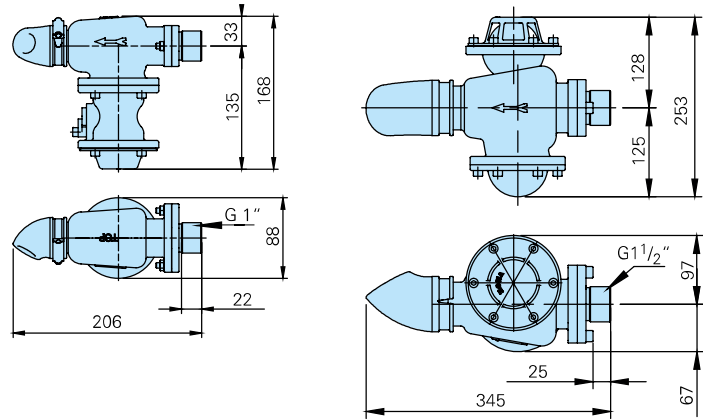
The flushing time can be adjusted between 20 and 50 seconds.



# » COMPELLING ENGINEERING

Types	Part No.
Flush Valve	
FV 25	8500120
FV 50	8500122
Adapter kits	see selection table
Adapter for mounting on pump housing	on request
<b>Material</b>	
Housing	stainless steel 1.4436
Adjusting screw	brass
Membrane / Nozzle	NBR
Ball seat	stainless steel 1.4571
Ball	FV 25: ball bearing steel FV 50: NBR w. steel core
Oil	food safe

## Dimensions (in mm)



## Selection Table

Pump type	Auto-coupling system	Flush Valve	Adapter kit / Part No. (for refitting)	Auto-coupling system / Part No. (for new installation)
GRP 16 - 50	SKB pump station	FV 25	Flanged auto-coupling 7323121	---
GRP 10 - 50	KK 50S/R2"	FV 25	Flanged auto-coupling 7323121	Auto-coupling system 8604008.51
GRP 10 - 50	KKR 50S/R2"	FV 25	Flanged auto-coupling 7323121	Auto-coupling system 8604008.51
GRP 10 - 50	KKR 50S-1/R2"	FV 25	Flanged auto-coupling 7323121	Auto-coupling system 8604008.51
GRP 56 - 118	KK 50/50	FV 25	Adapter DN50 - G1 1/2" 7325441	---
(A)V13 / (A)VX13 / (A)MX13	KK(R) 80/80	FV 50	Adapter DN80 - G1 1/2" 7325451	---
(A)V13 / (A)VX13 / (A)MX13	KK(R) 80/100	FV 50	Adapter DN80 - G1 1/2" 7325451	---
(A)V23 / (A)VX23 / (A)MX23	KK(R) 100/100	FV 50	Adapter DN100 - G1 1/2" 7325461	---
(A)V23 / (A)VX23 / (A)MX23	KK(R) 150/100	FV 50	Adapter DN100 - G1 1/2" 7325461	---
(A)VX24 / (A)MX24	KK(R) 100/100	FV 50	Adapter DN100 - G1 1/2" 7325461	---
(A)VX24 / (A)MX24	KK(R) 150/100	FV 50	Adapter DN100 - G1 1/2" 7325461	---
(A)K33 / (A)VX34 / (A)MX34	KK(R) 150/150	FV 50	Adapter DN150 - G1 1/2" 7325471	---
(A)K33 / (A)VX34 / (A)MX34	KK(R) 200/150	FV 50	Adapter DN150 - G1 1/2" 7325471	---

## HOMA Pump Technology, Inc

390 Birmingham Blvd

Ansonia, CT 06401

Phone: (203) 736-8890 Fax: (203) 736-8899

E-Mail: info@homapump.com Internet: www.homapump.com

We reserve the right to alter our specifications without notice.

