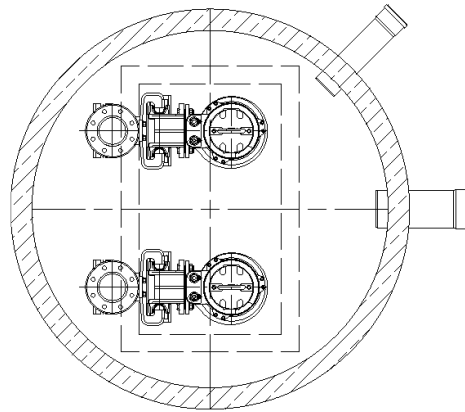


Pumps placed too close to one another in a basin can interfere with one another's pumping characteristics. HOMA recommends the following minimum dimensions for the separation between the centerline of these A Series pump models. **WARNING: Flanged piping may not fit within these dimensions.** For sizing hatch openings, we have also provided the overall pump length from the mounting point of the Upper Guide Rail Bracket to the back of the volute and the volute diameter. (Dimensions in inches)



	Centerline Separation	UGRB to Volute Length	Volute Diameter
AMS334 (140-170)	18	21 3/8	12
AMS334/6 (180-190)	18	21 3/8	12
AMS334/6 (200-230)	21 1/8	25 3/8	14 1/8
AV332 (165-195)	17 1/8	21 5/8	11 1/2
AV332 (200-215)	18 5/8	23 1/4	12 1/2
AV334/6 (200-224)	18 5/8	23 1/4	12 1/2
AVX334/6 (225-230)	18 5/8	23 1/4	12 1/2
OC3X2/4 (150-200)	18 5/8	23 3/8	12 5/8

NOTE: Flanged piping may not fit within these dimensions. Please consult document 88HE2040 3 Inch A Series Sample Station Layout for flanged piping dimensions