

» VICON Product Range and Components

Pump with sensor, database and processor

Type	Description
e.g. MX3462-P94...HV	Sensor, database and processor unit HVS

Diagnosis modules with display

Type	Description
1 Pump 2 Pumps 3 Pumps 4 Pumps	
HVC 21 HVC 22 HVC 23 HVC 24	SPS and text display
HVC 41 HVC 42 HVC 43 HVC 44	SPS and 3" monochrome touchscreen data display with optional parameter modification
HVC 61 HVC 62 HVC 63 HVC 64	SPS and 5,5" colour touchscreen graphic display with optional parameter modification
HVC 61 SD HVC 62 SD HVC 63 SD HVC 64 SD	SPS and 5,5" colour touchscreen graphic display with optional parameter modification and SD memory card

available also in separate control box

Basic diagnosis modules

Type	Description
1 Pump 2 Pumps 3 Pumps 4 Pumps	
HVB 1 HVB 2 HVB 3 HVB 4	SPS

Extension diagnosis modules

Type	Description
HVE 1	14 additional switching outputs
HVE 2	2 analog outputs

HOMA Pumpenfabrik GmbH
 P.O. Box 22 63 ▶ 53814 Neunkirchen-Seelscheid; Germany
 Phone +49 (0)22 47/702-0 ▶ Fax +49 (0) 22 47/702-44
 e-mail: info@homa-pumpen.de ▶ Internet: www.homapumps.com

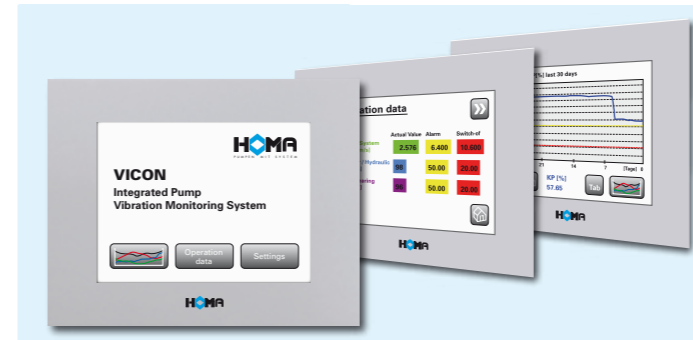
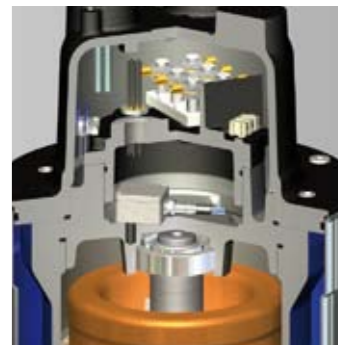


INTEGRATED PUMP VIBRATION MONITORING SYSTEM



VICON

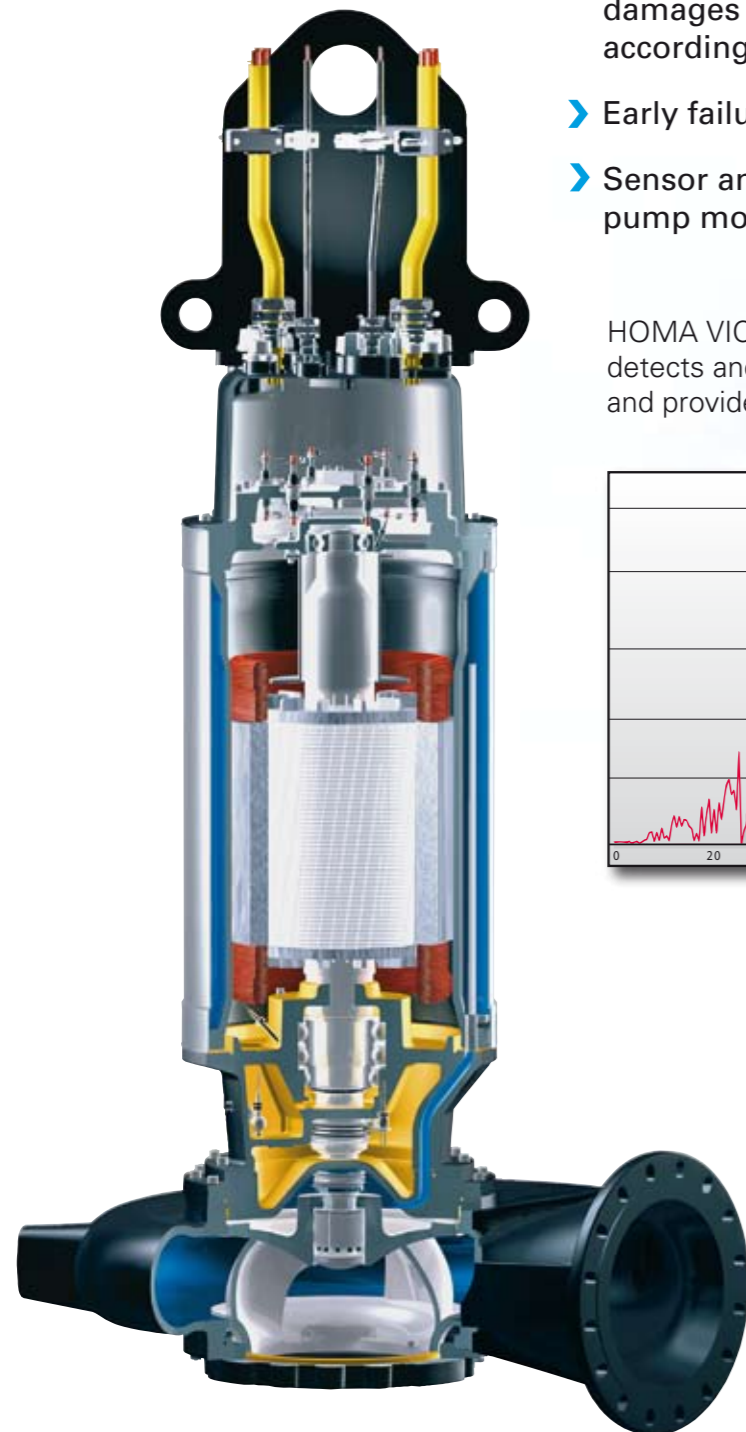
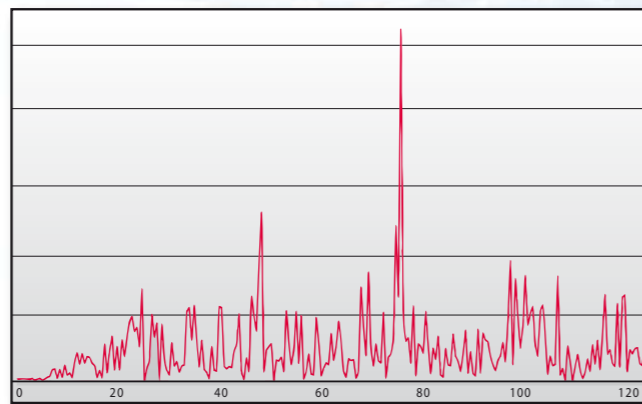
NEW



» VICON Integrated Pump Vibration Monitoring System

- » Detailed vibration analysis of submersible pumps and pump systems
- » Specific diagnosis of impeller and shaft bearing damages and overall system vibration V_{eff} according to DIN 10816 standard
- » Early failure detection reduces repair cost
- » Sensor and monitoring device is integrated in pump motor

HOMA VICON is a new failure monitoring device, that detects and monitors all vibrations arising in a pump station and provides a detailed analysis of failure origin.



VICON Components:

- » **Sensor, database and processor unit HVS**, is integrated in the pump motor. For recording, processing and saving various vibration diagnosis data and frequency spectra.
- » **Diagnosis module HVC** with touchscreen data and graphic display. For integration in pump control panel or in separate control box. Basic diagnosis module HVB without screen display is available for integration in existing monitoring systems.

Function and Features

VICON detects vibrations with a digital acceleration sensor inside the pump and processes data and frequency spectra, which allow to assign specific kinds of vibrations to corresponding mechanical failures.

VICON is able to separate:

- » Vibrations generated by the **impeller or pump hydraulic**, as impeller damages or unbalance, clogging or inappropriate operation conditions.
- » Vibrations generated by **shaft bearing** damages. Bearing damages can be detected at a very early stage, before the failure starts to create further mechanical damages.
- » Vibrations of the **overall pump system**, including valves and pipework (V_{eff} according to DIN 10816 standard).

In the diagnosis module the actual data and time series are displayed in tables and graphs. Data documentation and statistical evaluation is provided by an additional SD Memory Card, which is optionally available.

