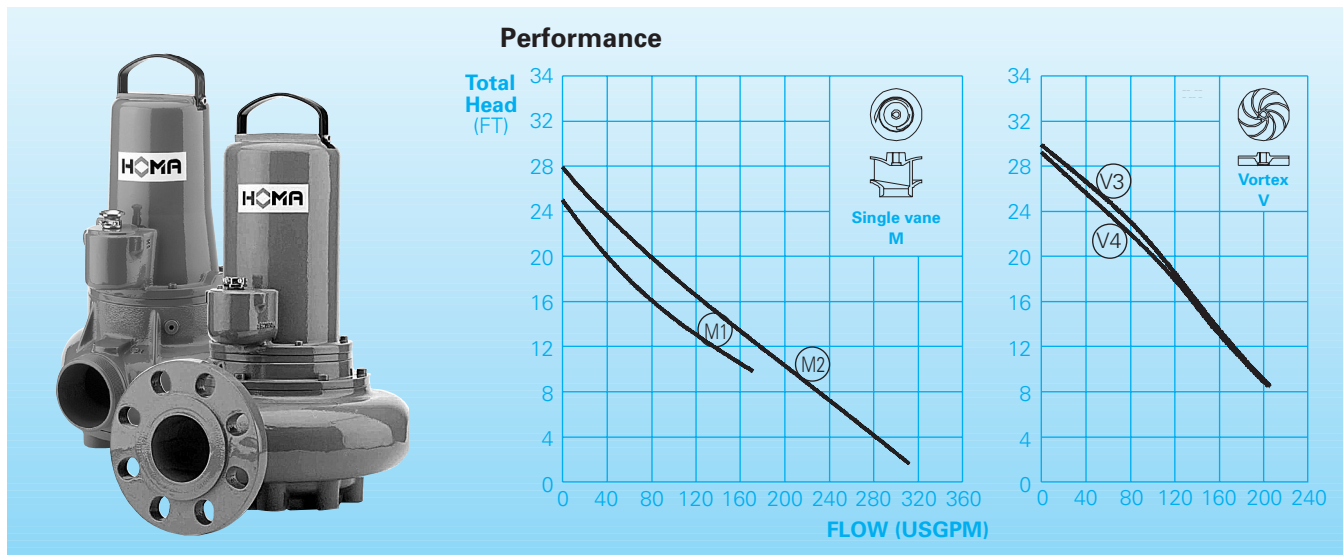




Submersible Wastewater Pumps 3" Discharge – 2 3/4" Solids

TP 70



Application

The HOMA TP 70 Series of submersible pumps are ideal for heavy duty wastewater and sewage service in municipal, commercial and industrial applications.

Typical Fluids Handled Are:

- Effluent and sewage with soft solids up to 2 3/4" diameter.
- Liquids to 140° F can be handled intermittently.
- PH range 5 – 9 with specific gravity to 1.1

The TP 70 series pumps are typically used in:

- Commercial wastewater and sewage
- Small municipal collection systems
- Waste treatment plants
- Industrial wastewater
- Effluent distribution systems
- Agricultural wastewater
- Processing Plants
- Optional Factory Mutual (FM) label for Class I, Div 1 EX construction.

Features

Integral lift handle is arched to permit self centering of lifting device

Cast iron construction with epoxy coating for maximum corrosion resistance

Tandem mechanical seals (Silicon Carbide) as standard

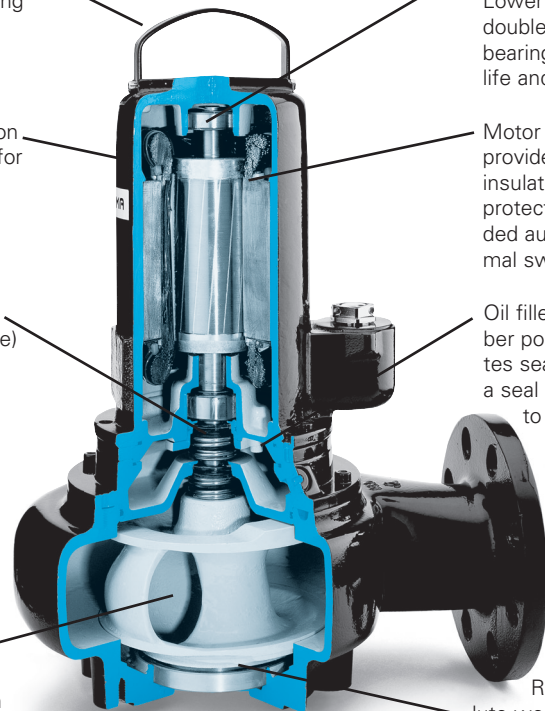
Impellers are provided in Single Vane configuration for large solids handling, and in Vortex configuration for smooth vibration free operation and for handling fibrous or air entrained materials

Upper bearing: deep groove ball bearing
Lower bearing: double angular ball bearing assure long life and reliability

Motor windings provided with class F insulation and fully protected by embedded auto reset thermal switches

Oil filled seal chamber positively lubricates seals and permits a seal leakage probe to be installed

Replaceable volute wear ring in single vane pump permits hydraulic efficiency to be restored for long service life



Motor Construction

Motor Type:
enclosed submersible

NEMA insulation code:
class F

Service Factor:
1.15

NEMA Design Type:
B

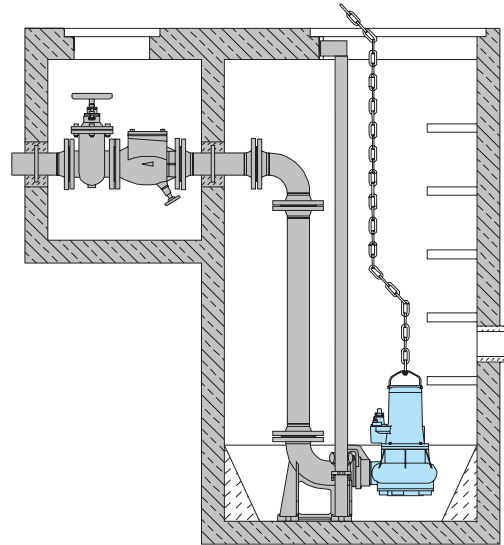
Standard Cable Length:
33 ft

Available Motor Voltages:
1 Phase: 115 V, 200V, 230 V
3 Phase: 200 V, 230 V, 380 V,
460 V, 575 V

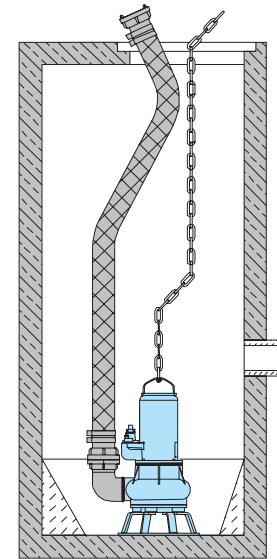
Optional Explosion Proof construction:
Factory Mutual approved for Class I, Div. 1, Group C & D.

Installations

Wet pit with autocoupling



Basestand



Materials

Motor housing, Volute and Impeller:
Cast Iron ASTM A 48, class 40B

Mechanical seal – impeller side:
Silicon Carbide vs Silicon Carbide

Shaft seal – Motor side:
Silicon Carbide vs Silicon Carbide

O-Rings:
Nitrile rubber

Upper bearing:
Deep groove Ball Bearing

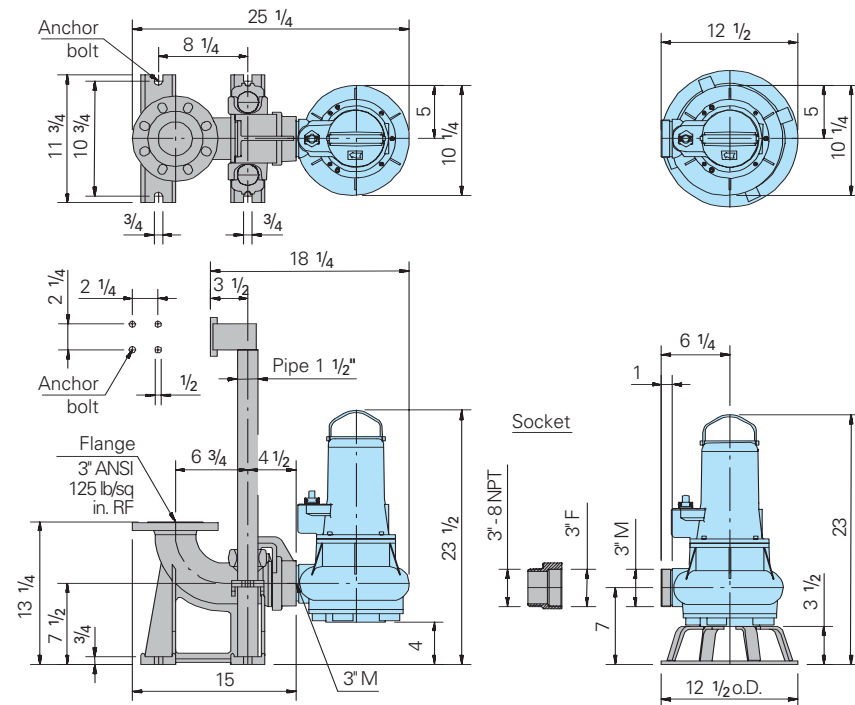
Lower bearing:
Double angular Ball Bearing

Power cable sheathing:
Nitrile rubber

Shaft:
AISI 430 F

Fasteners:
AISI 304

Dimensions (inches) (Tolerance +/- 1/4")



Technical Data

Curve No.	Pump Type	Rated B.H.P.	Phase	Voltage (V)	Full Load Amps	Speed (rpm)	Weight (LBS)	NEMA code
M 1	TP70M20/4/1	1.5	1	230	7.4	1750	88	F
M 2	TP70M20/4/3	1.5	3	230/380/460	5.6/3.4/2.8	1750	88	G
V 3	TP70V20/4/1	1.5	1	230	7.4	1750	88	F
V 4	TP70V20/4/3	1.5	3	230/380/460	5.6/3.4/2.8	1750	88	G