

»» THE SHARP SOLUTION

Innovative submersible pumps with cutter system

- › Barracuda GRP series
- › submersible wastewater pumps with ASC system

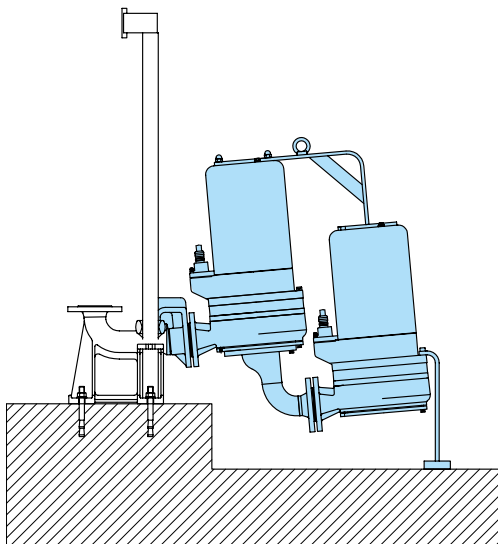




» THESE REALLY PERFORM

HOMA submersible pumps with their cutter system are among the technical leaders on the market. Our series of Bar-racuda GRP and wastewater pumps with the ASC system are setting trends worldwide, convincing not only with their reliability, but with their performance as well. These robust cutting systems prevent clogging or blocking of the pumps by efficiently cutting contained solids before the pumped medium is carried off.

More than sixty years of expertise in pump construction, innovative technology and high-quality materials assure the famous HOMA quality.



Special solutions by HOMA:
GRP pumps in tandem
configuration

» BARRACUDA GRP

Persuasively robust:

Where many other systems give up, HOMA submersible pumps with cutter system in the GRP series have proven themselves even under extreme operating conditions. The robust construction of all components - in solid stainless steel from the motor, to the hydraulics to the hardened cutting tools - sets world standards for operational reliability

Reliable in use:

Whether for pressure drainage in topographically difficult areas, wastewater disposal through small cross-section pipes, or when great lift heights have to be reached at a relatively low flow rate: the power packs of the Barracuda GRP series cut contained solids in fractions of a second, so that even plastic pipes with cross-sections from

1 1/2" (GRP 16 - GRP 50) or 2" (GRP 56 - GRP 118) are sufficient as pipelines. That's how to reduce considerably the cost of materials and laying drainage systems. With a delivery pressure of up to 230' (7 bar), the most powerful models in the series can also handle big wastewater disposal projects.

PERFORMANCE THAT PERSUADES

- » excellent cutting characteristics
- » high efficiency
- » robust construction, high-quality materials
- » also available in explosion-proofed design
- » starting with the GRP 56, also available with motor cooling jacket for drywell installation



Hardened stainless-steel cutters (HRC 55) in the GRP series



Packaged submersible pump stations with sythetic sump (Type SKB) and GRP pumps



Range of coupling adapters for exchanging with other manufacturers

» SUBMERSIBLE WASTEWATER PUMPS WITH ASC SYSTEM

Persuasively safe:

In particularly difficult applications, where it makes no sense to use standard hydraulics, HOMA wastewater pumps with the ASC system are the optimal solution. The combination of submersible wastewater pumps having a free passage of up to 4" Ø with an upstream

ASC cutting system, which disintegrates particularly coarse solids, gives double protection against any obstruction of pumps, fittings or pressure pipes.

The adjustable ASC cutting system consists of two rotating blades and one fixed blade in hard metal, and is available for HOMA wastewater pumps in

the AMX 3", 4" and 6" ranges and the AK 4" and 6" series. The ASC system can also be retrofitted to these pumps. To select the most appropriate pumps, please contact the HOMA sales team.

PERFORMANCE THAT PERSUADES

- » reliable cutting system prevents blocking of the pump
- » adjustable cutting system in hard metal (HRA 90)
- » high handling capacity with discharge sizes up to 6" (DN 150)
- » powerful channel-impeller pumps with free passage up to 4" (100 mm)



Hard metal cutting system (HRA 90)



Components of the ASC system:
Impeller with 2 blades and adjustable cutting plate

HOMA Pump Technology, Inc
390 Birmingham Blvd
Ansonia, CT 06401
Phone: (203) 736-8890 Fax: (203) 736-8899
E-Mail: info@homapump.com Internet: www.homapump.com

HOMA
P U M P T E C H N O L O G Y